



Construction

Self-priming swimming pool pumps with built-in strainer and motor insulated from pumped water. The pump is made with high quality plastic materials, corrosion and sand erosion resistant. With stainless steel diffuser.

Applications

- For water circulation in swimming pool filtration systems.
- For clean or slightly dirty water with solids in suspension.

Operating conditions

Water temperature up to 60 °C.
Ambient temperature up to 40 °C.
Maximum permissible pressure in the pump casing 2,5 bar.
Continuous duty.

Motor

2-pole induction motor, 50 Hz (n = 2800 rpm).
MPC: three-phase 230/400 V ± 10%.
MPCM: single-phase 230 V ± 10%, with thermal protector up to 1,5 kW.
Capacitor inside the terminal box.
Insulation class F.
Protection IP X4.
Constructed in accordance with EN 60 335-2-41.

Patents: EP 0 460 597
US 5 226 790

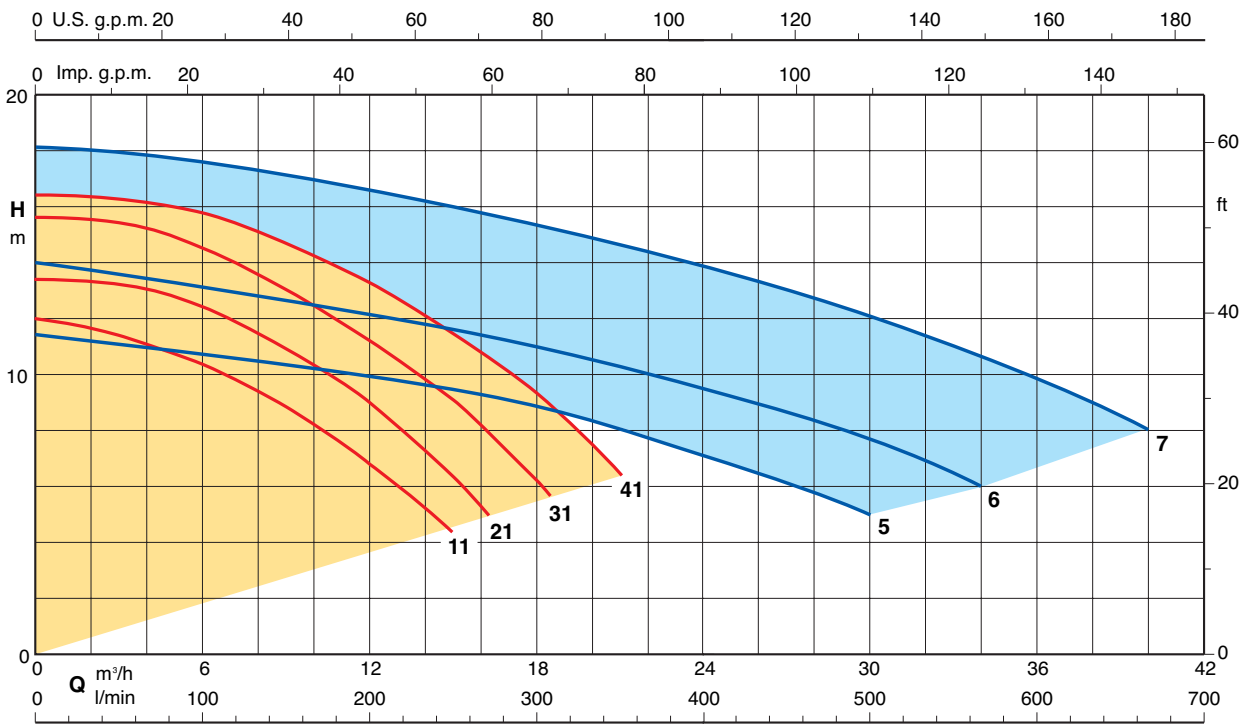
Certification marks for MPCM, up to 1,5 kW:



Materiali

Component	Material
Pump casing	Glass reinforced thermoplastic
Diffuser cover	PPO-GF30, NORYL
Strainer cover	Transparent polycarbonate, LEXAN
Strainer basket	Polypropylene
Diffuser funnel and wear-ring	Cr-Ni-Mo steel AISI 316
Mechanical seal	Ceramic alumina, Carbon, FPM

Coverage chart n ≈ 2800 rpm



Performance $n \approx 2800$ rpm

	3~ 230 V 400 V		1~ 230 V P ₁		P ₂		Q m ³ /h l/min										
	A	A	A	kW	kW	HP		0	3	6	9	12	15	18	21		
MPC 11	2,8	1,6	MPCM 11	3,3	0,73	0,37	0,5	H m	11,9	11,4	10,3	8,9	6,8	4,2			
MPC 21	3	1,7	MPCM 21	4,5	1	0,55	0,75		13,4	13,3	12,4	10,9	9	6,3			
MPC 31	3,7	2,2	MPCM 31	5,4	1,2	0,75	1		15,6	15,5	14,5	13	11,2	9,1	6,2		
MPC 41	5	2,9	MPCM 41	7	1,6	1,1	1,5		16,4	16,2	15,8	14,7	13,3	11,4	9,3	6,4	

	3~ 230 V 400 V		1~ 230 V P ₁		P ₂		Q m ³ /h l/min											
	A	A	A	kW	kW	HP		0	3	9	15	18	21	24	27	30	34	40
MPC 5	5	2,9	MPCM 5	7	1,6	1,1	1,5	H m	11,5	11	10,5	9,5	9	8	7	6	5	
MPC 6	6,4	3,7	MPCM 6	9,2	2	1,5	2		14	13,5	12,5	11,5	11	10,5	9,5	8,5	7,5	6
MPC 7	9,15	5,3	MPCM 7	14	3	2,2	3		18,2	18	17	16	15,5	14,5	14	13	12	10,5

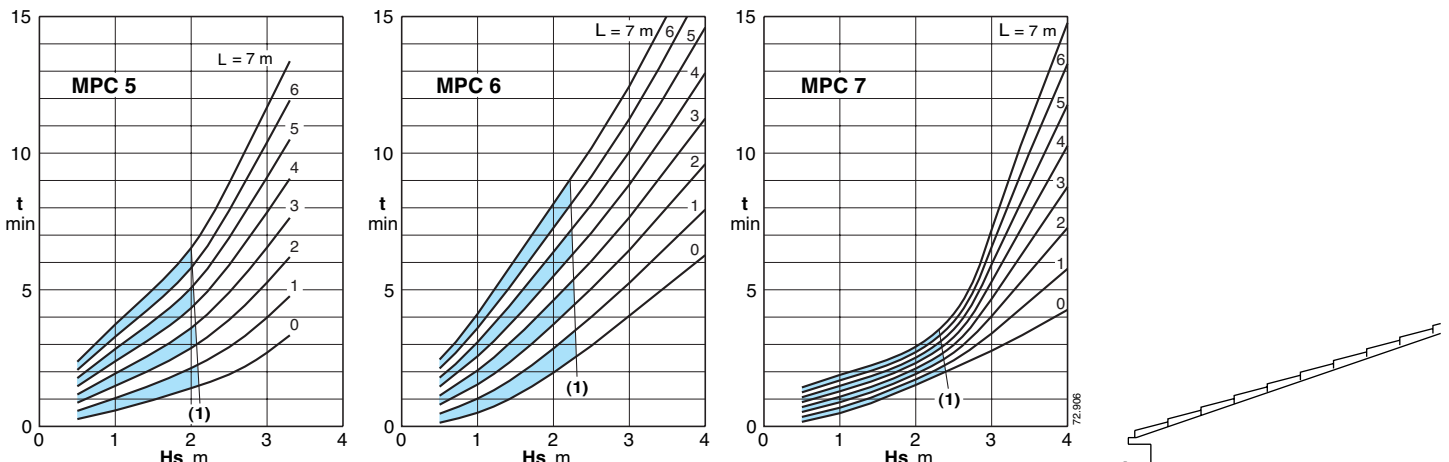
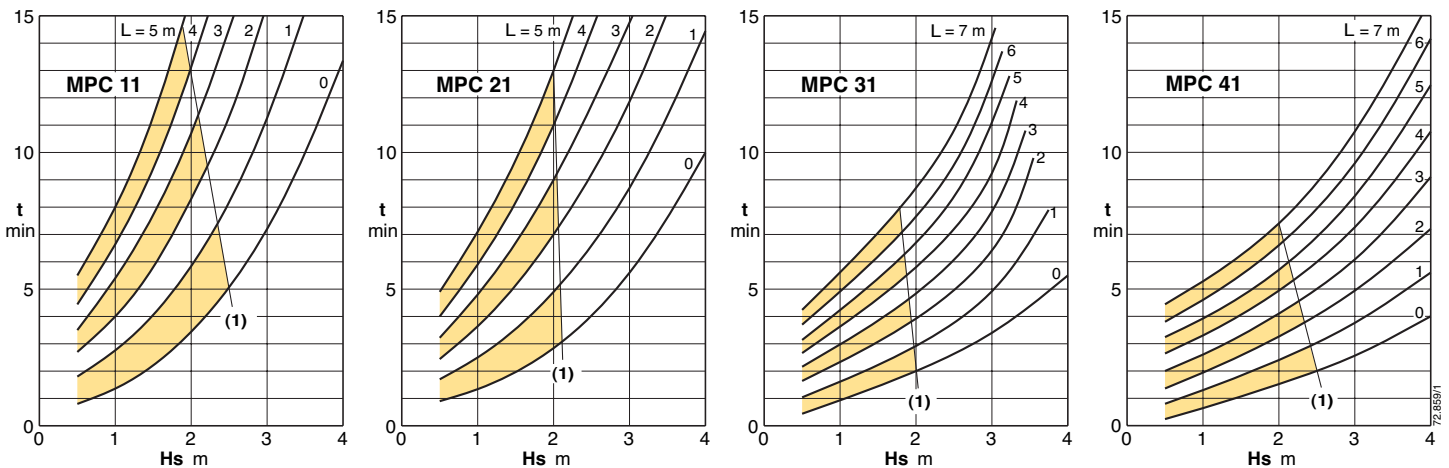
P₁ Max. power input.

P₂ Rated motor power output.

H Total head in m.

Tolerances according to ISO 9906, annex A.

Self-Priming Capability with the pump located above the water level

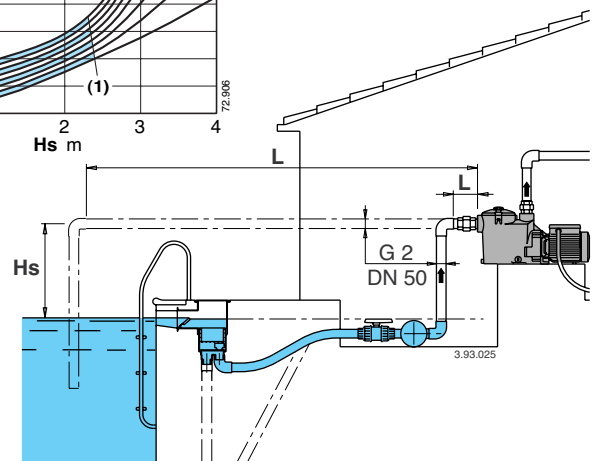


(1) Application limit for automatic self-repriming at each start-up, without check valve.

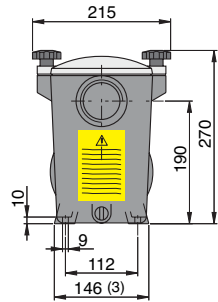
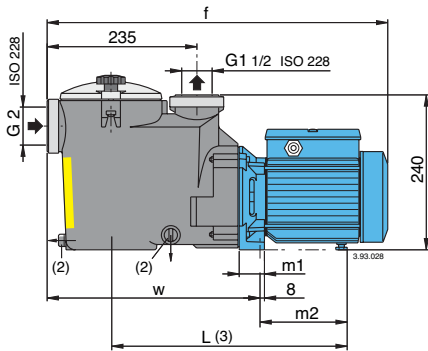
L (m) Horizontal length of suction pipe above the water level.

H_s (m) Suction lift.

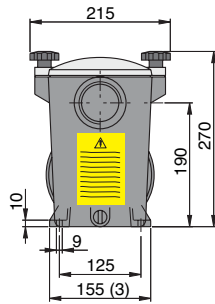
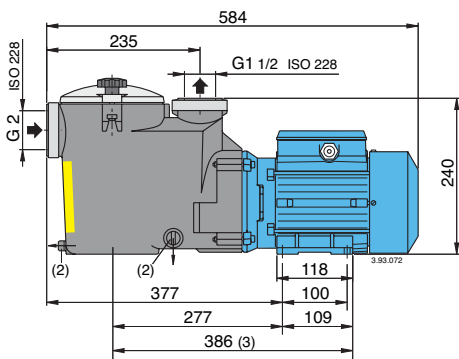
t (min) Self-priming time.



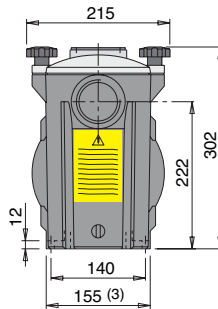
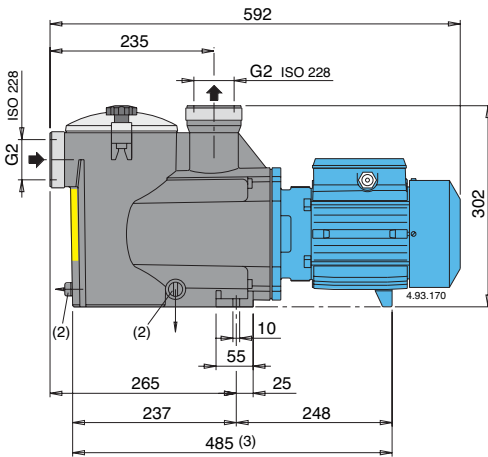
Dimensions and weights



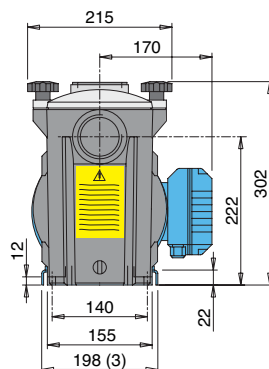
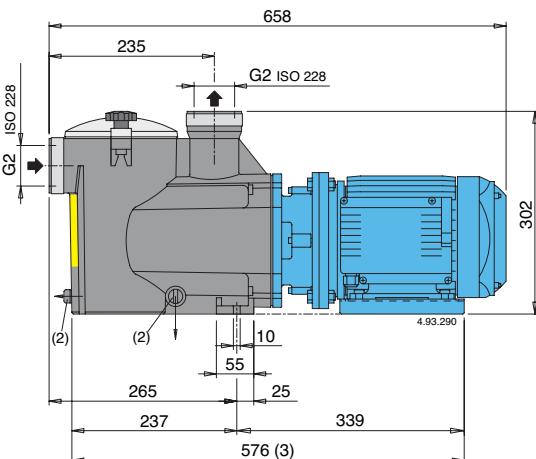
TYPE	mm					kg	
	f	L	m1	m2	w	MPC	MPCM
MPC 11 - MPCM 11	504	354	34	122	332	8,9	9
MPC 21 - MPCM 21	536	373	39	136	337	10,2	11,3
MPC 31 - MPCM 31	536	373	39	136	337	11,2	12,2



MPCM 41 17,5 kg
MPC 41 16,0 kg



MPCM 5 18,9 kg
MPC 5 17,4 kg
MPCM 6 20,7 kg
MPC 6 19,6 kg
MPC 7 20,7 kg



MPCM 7 29,7 kg

(1) Net weight (2) Draining (3) Minimum base

Features

